

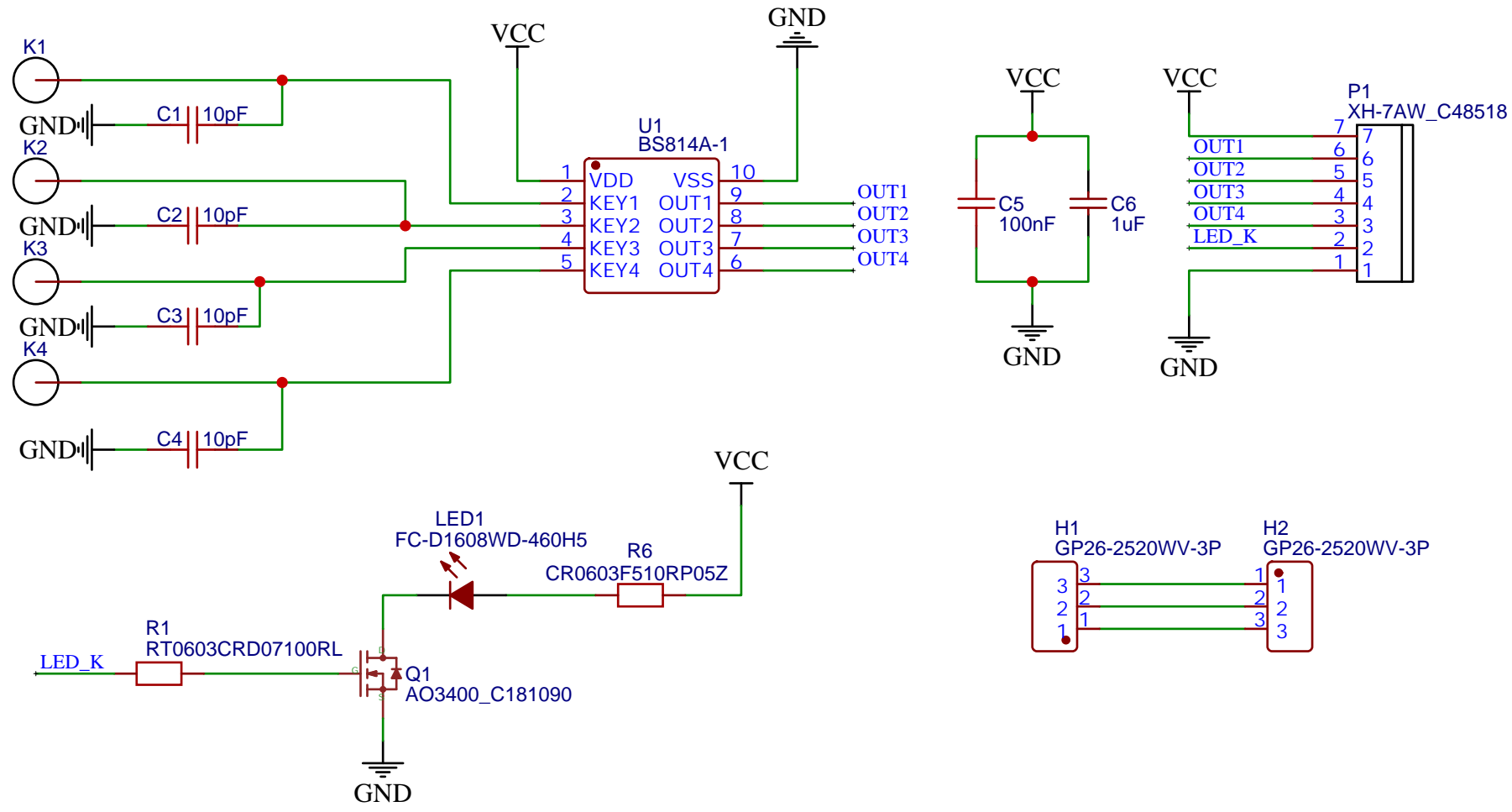
1

2

3

4

5



TITLE: Sheet_1		REV: 1.0
	Company:	Sheet: 1/1
	Date:	Drawn By:

1

2

3

4

5