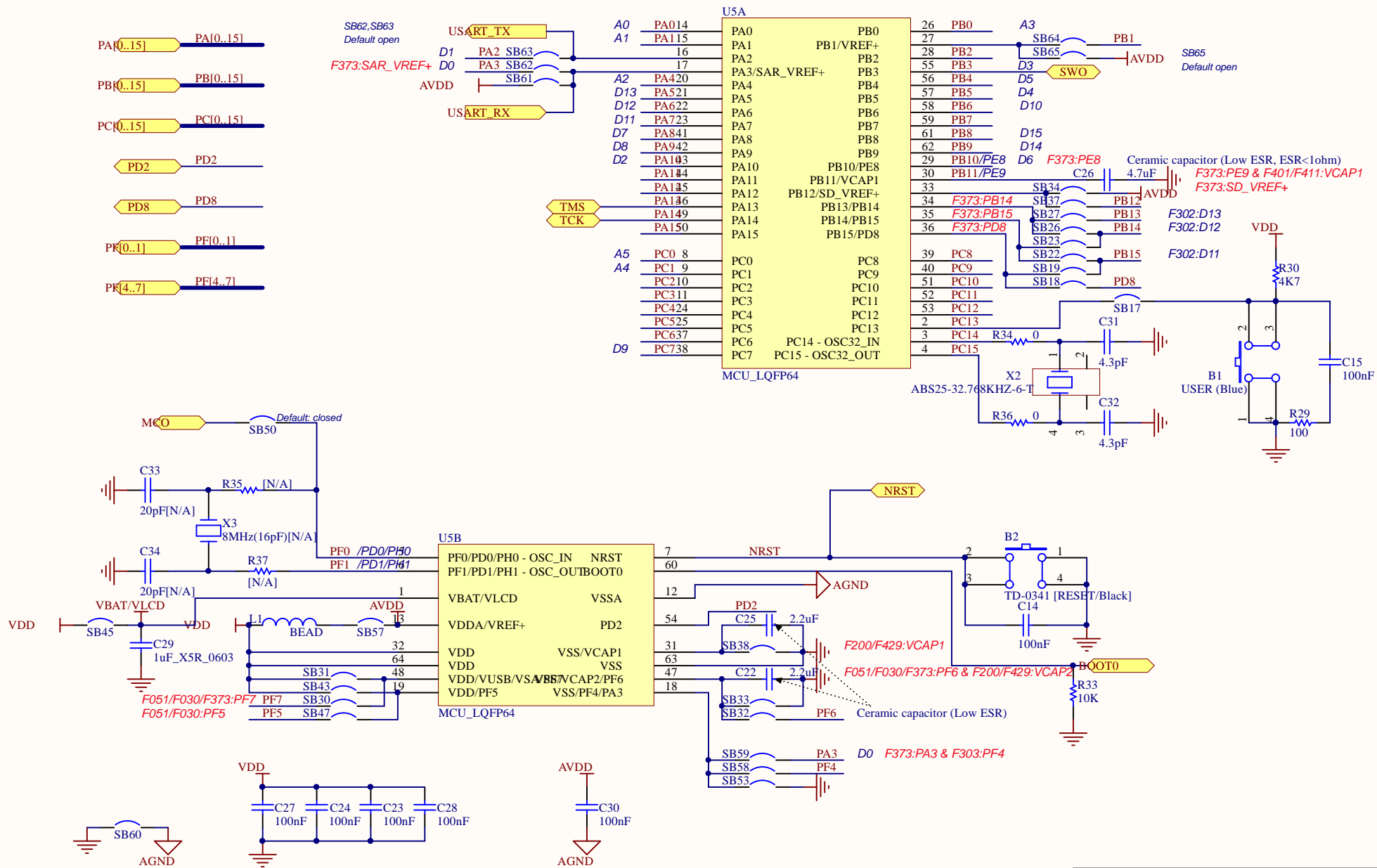


Note1: Text in italic placed on a wire doesn't correspond to net name. It just helps to identify rapidly Arduino's signal related to this wire.
 Note2: Remove [N/A] on R34, R36, C31, C32, X2 from C.1 to C.2
 Note3: Add "default open" on SB48, SB49, SB55 from C.1 to C.2
 Note4: Replace "default open" by "default closed" on SB16 & SB50 from C.1 to C.2
 Note5: C31&C32 value changed from 10pF to 4.3pF to fit with new 32K crystal ABS25-32.768KHZ-6-T

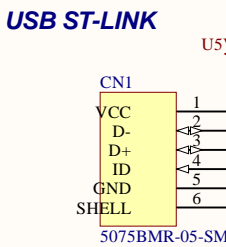
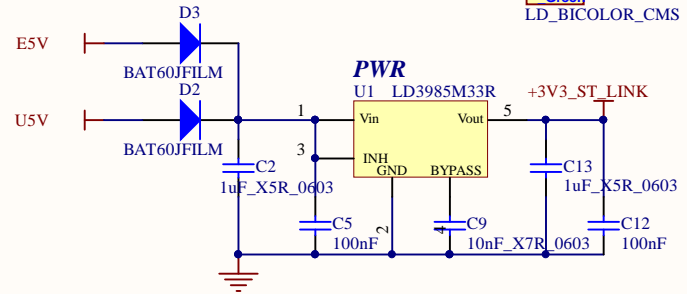
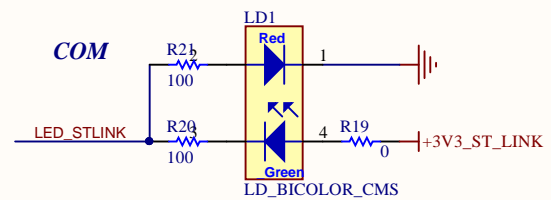
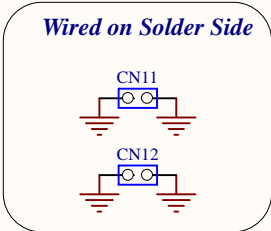
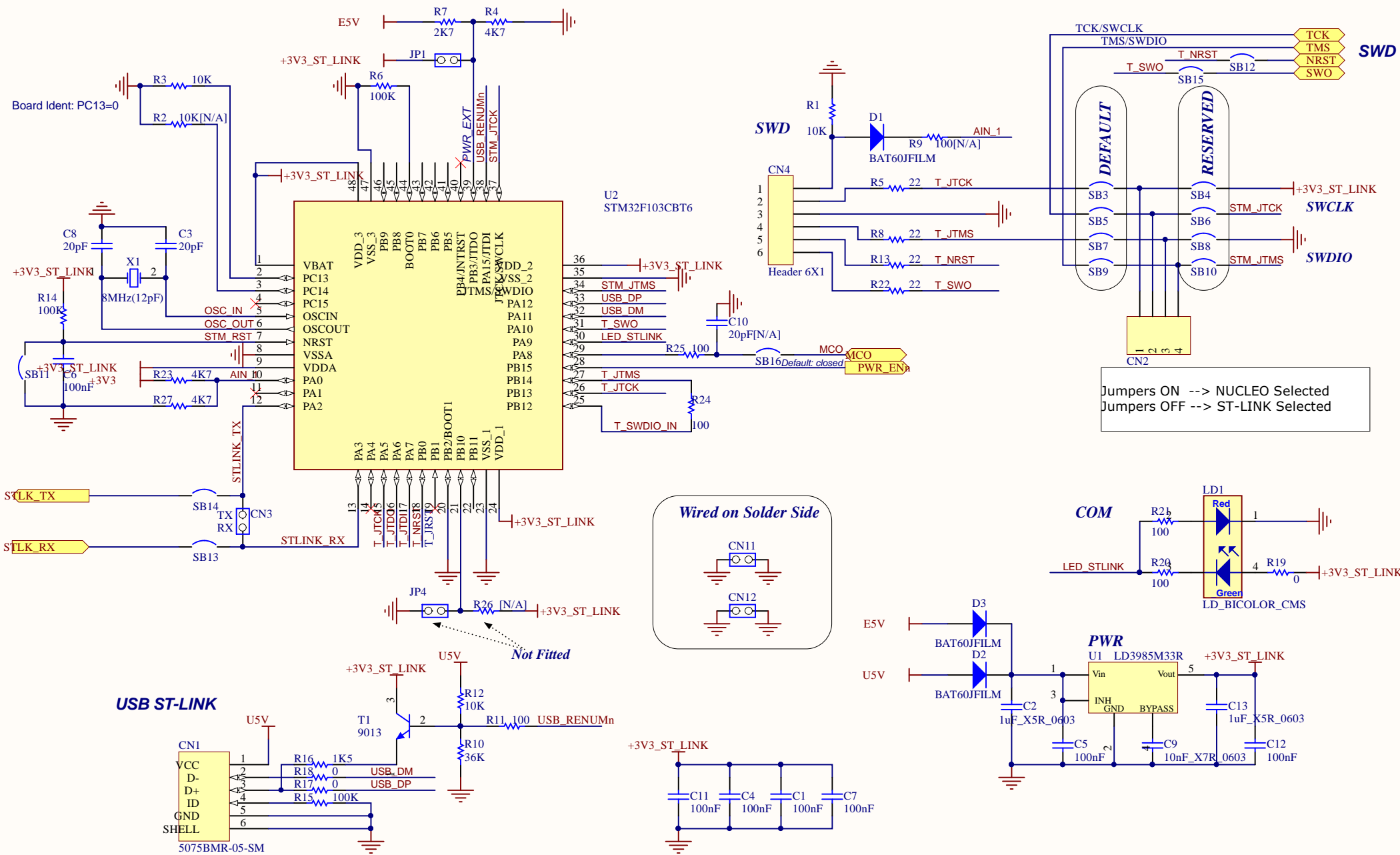
Title: TOP & POWER		
Project: NUCLEO-XXXXRX		
Size: A4	Reference: MB1136	Revision: C.3
Date: 2014/9/26	Sheet: 1 of 4	



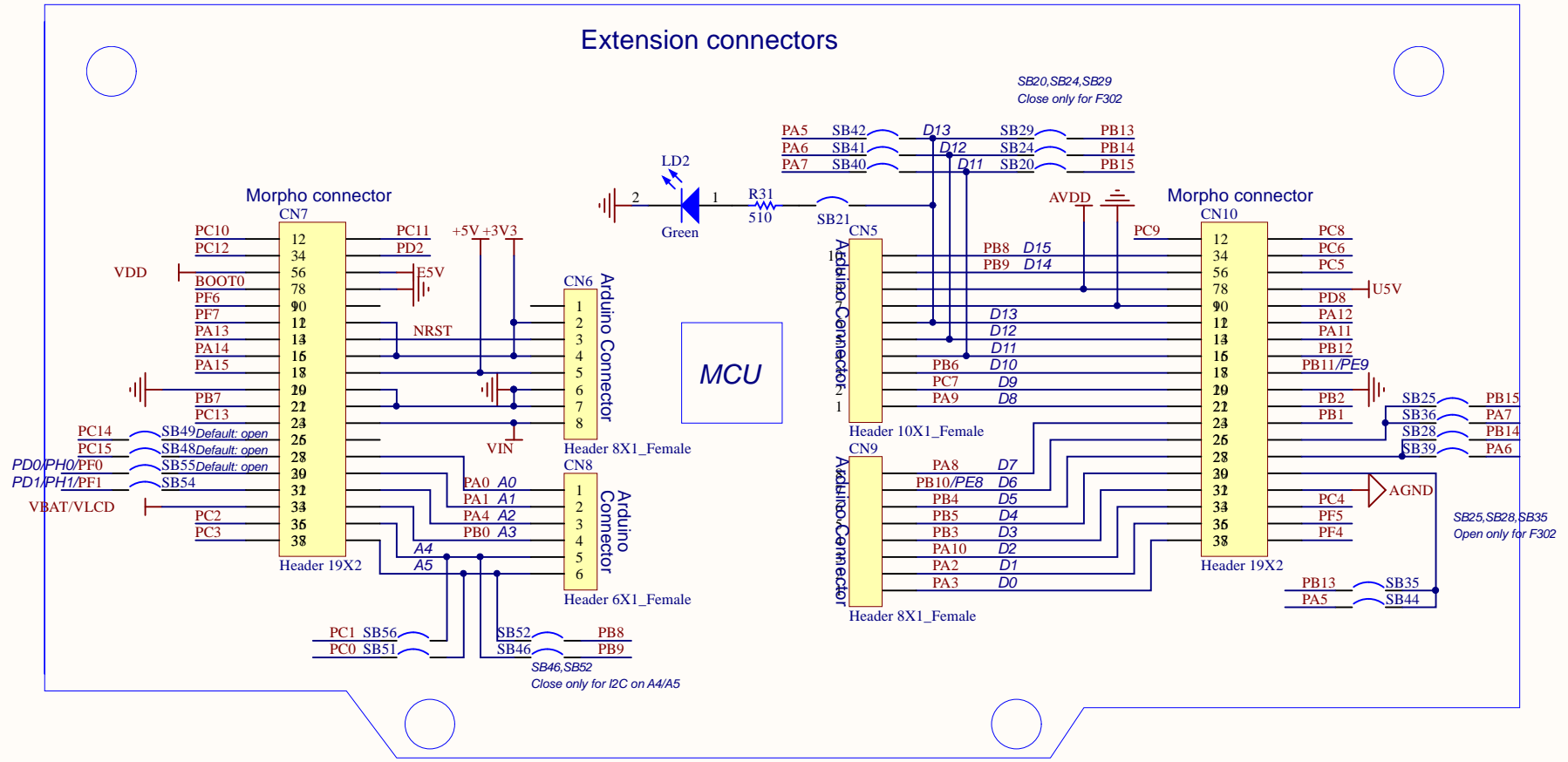
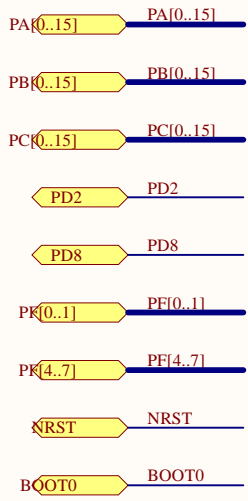


Title: MCU		
Project: NUCLEO-XXXXRX		
Size: A4	Reference: MB1136	Revision: C.3
Date: 2014/9/26	Sheet: 2 of 4	





Not Fitted



Title: Extension connectors		
Project: NUCLEO-XXXXRX		
Size: A4	Reference: MB1136	Revision: C.3
Date: 2014/9/26		Sheet: 4 of 4



MB1136C

