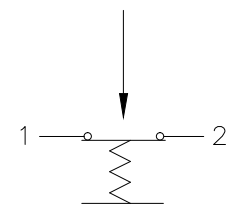
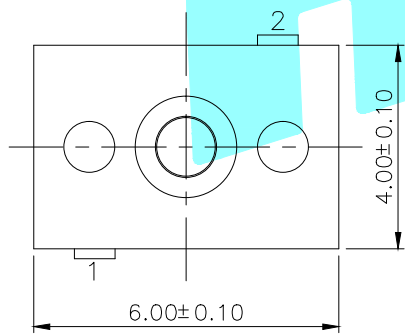
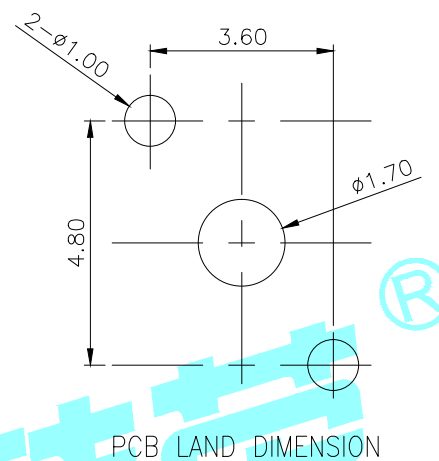
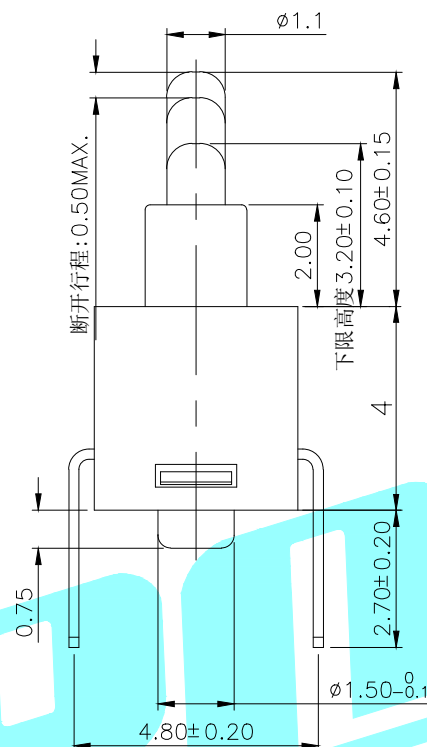
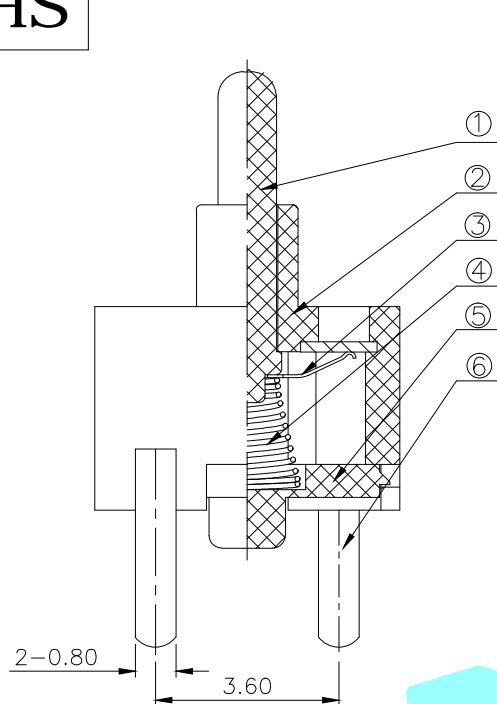


ROHS



CIRCUIT DIAGRAM

- NOTE:
1. Rating: DC 16V 1A.
 2. Dielectric withstanding : AC 500V for 1 minute.
 3. Contact resistance : 100m Ω Max.
 4. Insulation Resistance : 50m Ω Min.
 5. Operating Force: 30gf \pm 10gf.
 6. Mechanical Life: 50000 CYCLES.

⑥	Terminal	—	2	Brass	Plating silver	—
⑤	Bottom	—	1	PC	transparent	—
④	Spring	—	1	SUS	Natural	—
③	Contact	—	1	Beryllium copper	—	—
②	Base	—	1	PA46	Black	—
①	Knob	—	1	PA46	Black	—
ITEM	PART NAME	TER'NO.	QTY.	MATERIAL	FINISHING	REMARK

APPROVALS		DATE		 ELECTRONICS CO.,LTD		
DRAWN	LIUCAN	2021.01.13				
CHECKED				PART NO.		
APPROVALS				K5-1678DA-01		
TOLERANCES ARE		30~以上	± 0.30	ANGLE	UNIT: mm	SCALE: 1:1
		10~30	± 0.20			
		5~10	± 0.15	$\pm 2'$	DRAWING NO.	PROJ:
		~ 5	± 0.10			

—	A	—	NEW	—	—	—
ECN NO.	REV.	DATE.	DESCRIPTION.	CHANGE.	CHECK.	APPRO.