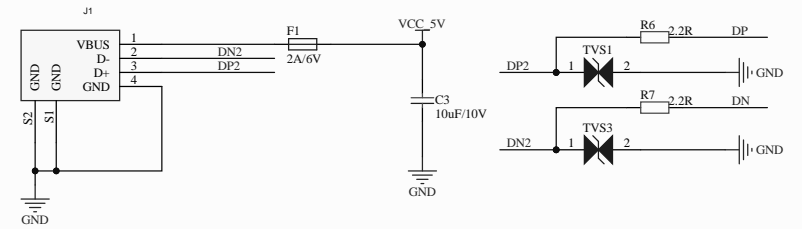
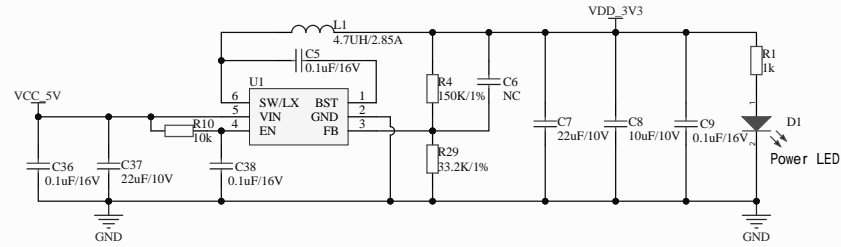


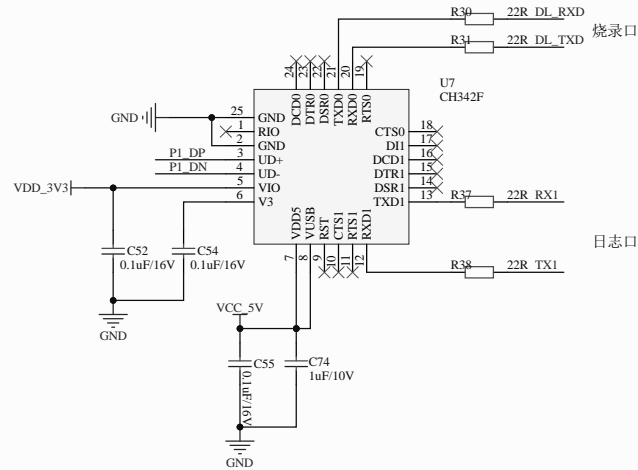
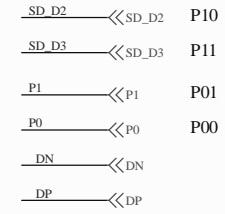
Input : USB Type-C



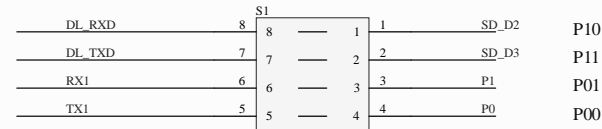
USB 2.0 type-A



DC-DC 3.3V/2A

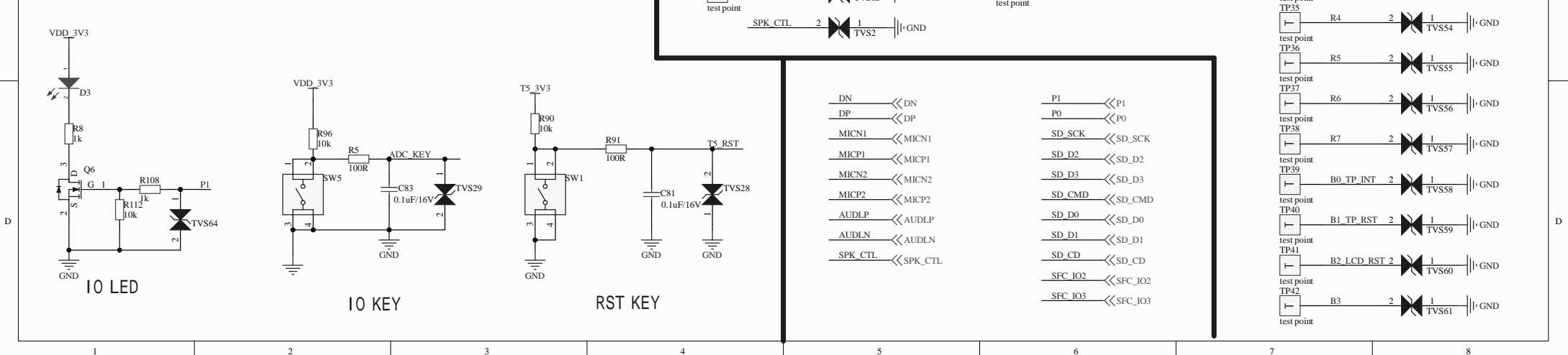
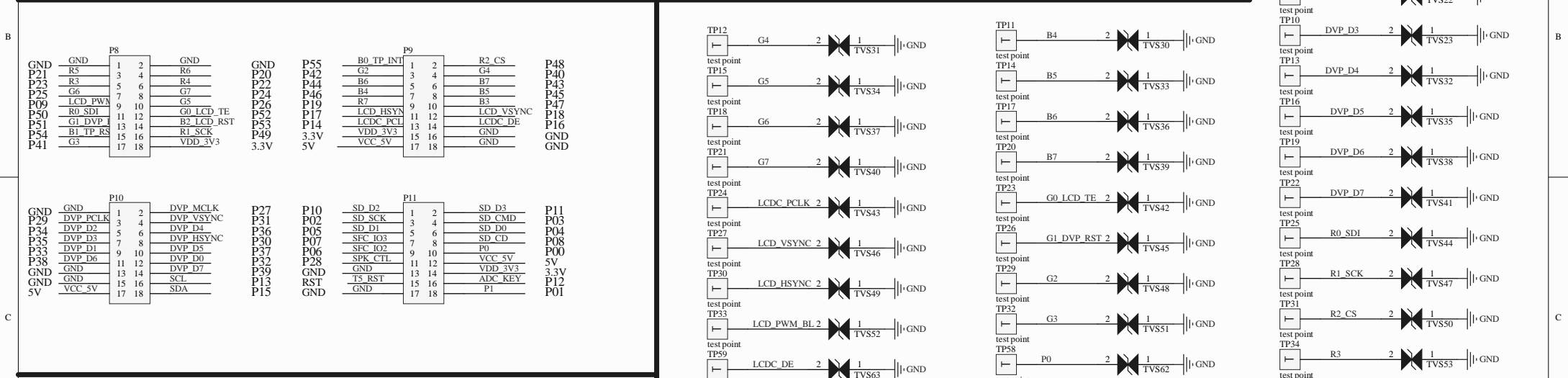
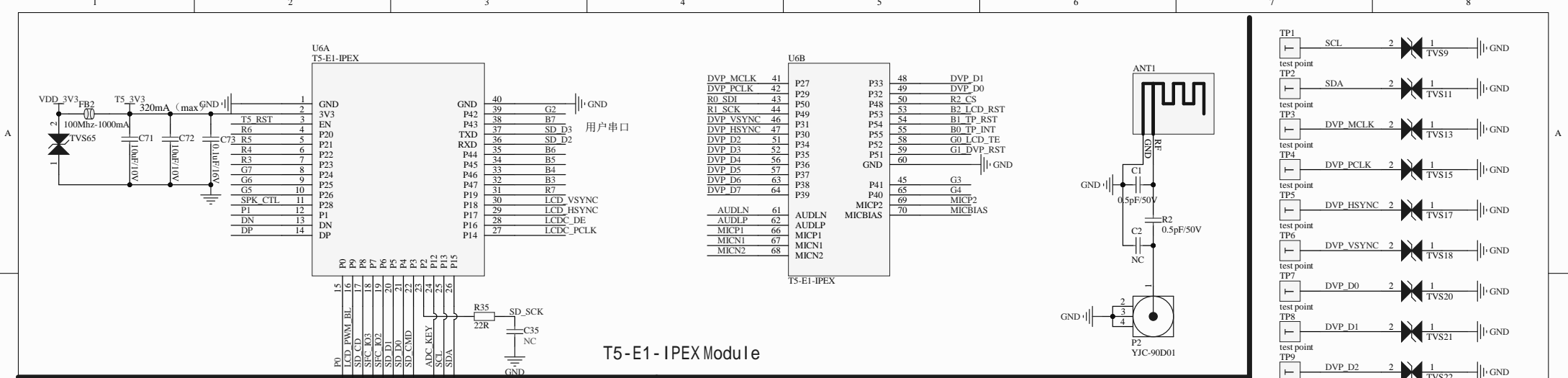


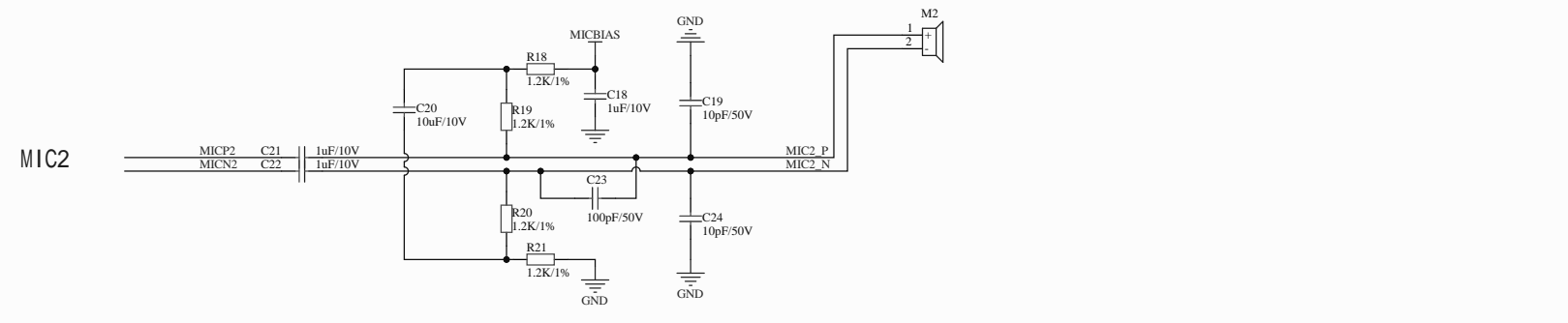
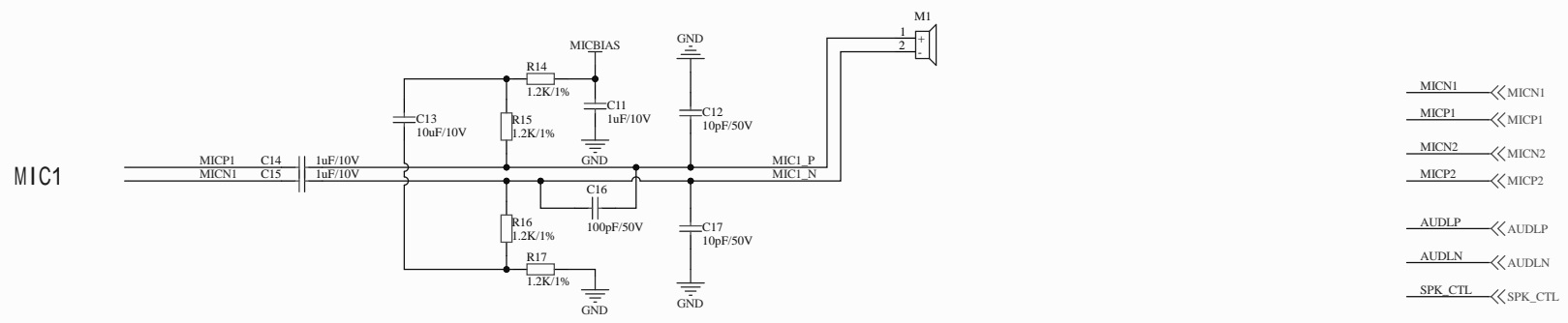
USB To UART



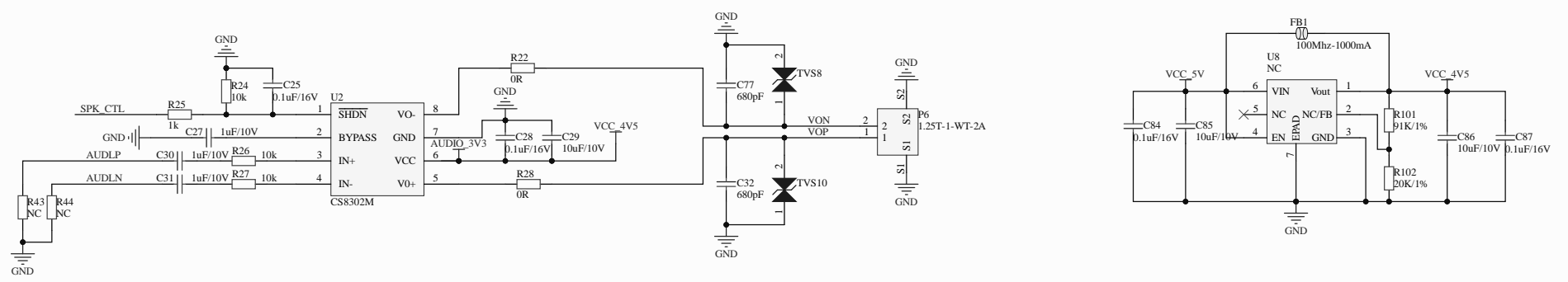
Note:

Pin Multiplexing							
I/O	S1	DL_UART	TF Card	I/O	S1	LOG_UART	IO-LED
P10	ON	ON	OFF	P01	ON	ON	OFF
	OFF	OFF	ON		OFF	OFF	ON
P11	ON	ON	OFF	P00	ON	ON	-
	OFF	OFF	ON		OFF	OFF	-





- MICN1 << MICN1
- MICP1 << MICP1
- MICN2 << MICN2
- MICP2 << MICP2
- AUDLP << AUDLP
- AUDLN << AUDLN
- SPK\_CTL << SPK\_CTL



SPEAKER

1

2

3

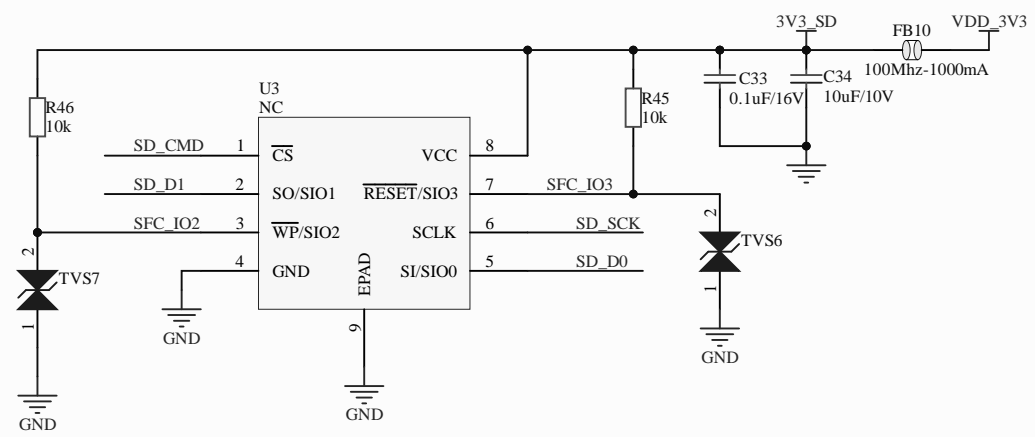
4

A

A

B

B



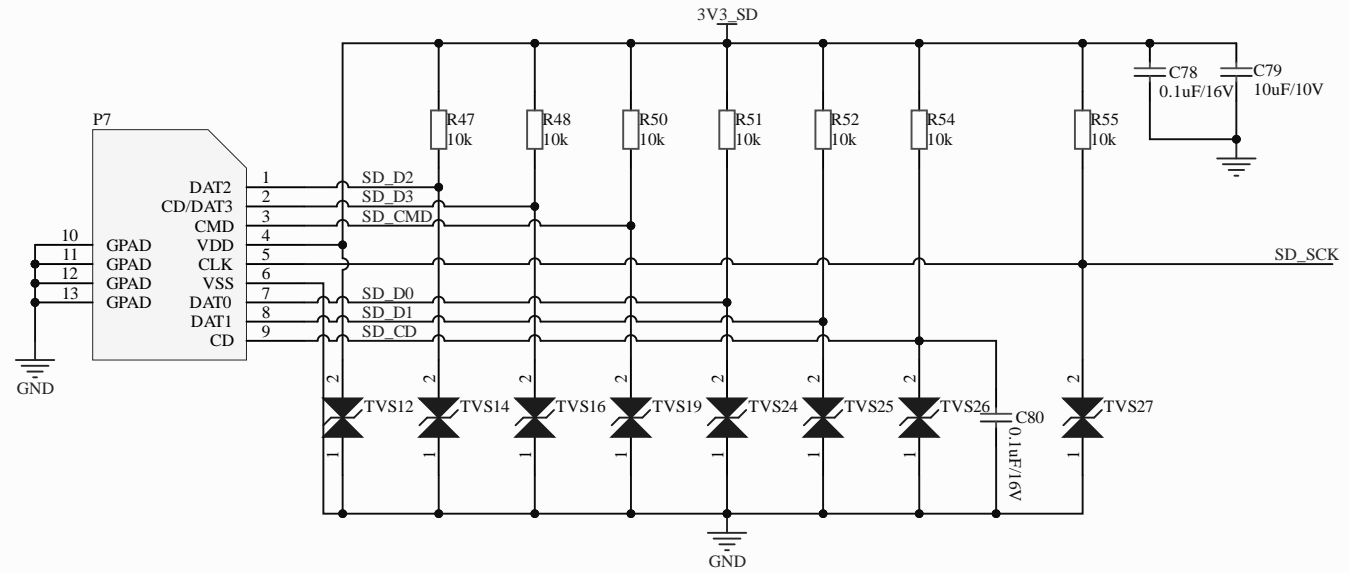
FLASH

C

C

D

D



TF CARD

- SD\_SCK << SD\_SCK
- SD\_D2 << SD\_D2
- SD\_D3 << SD\_D3
- SD\_CMD << SD\_CMD
- SD\_D0 << SD\_D0
- SD\_D1 << SD\_D1
- SD\_CD << SD\_CD
- SFC\_IO2 << SFC\_IO2
- SFC\_IO3 << SFC\_IO3

1

2

3

4